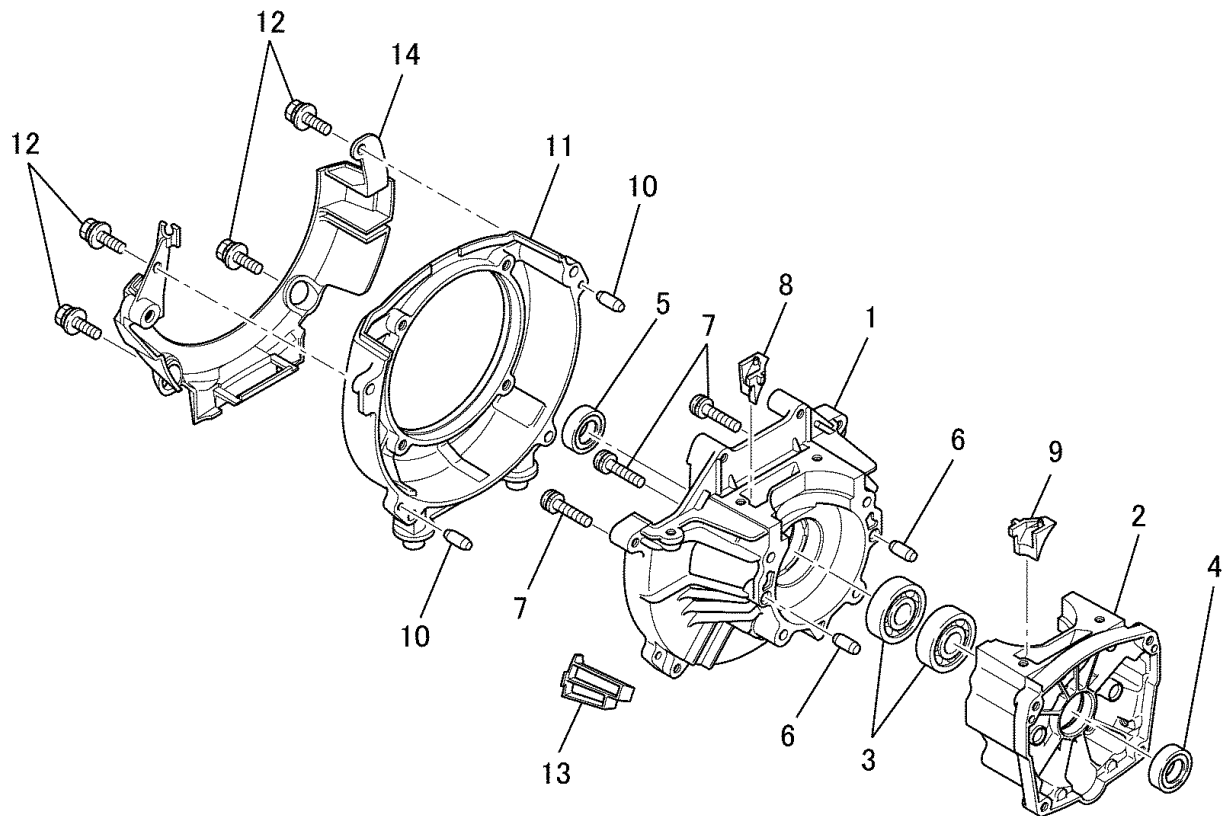
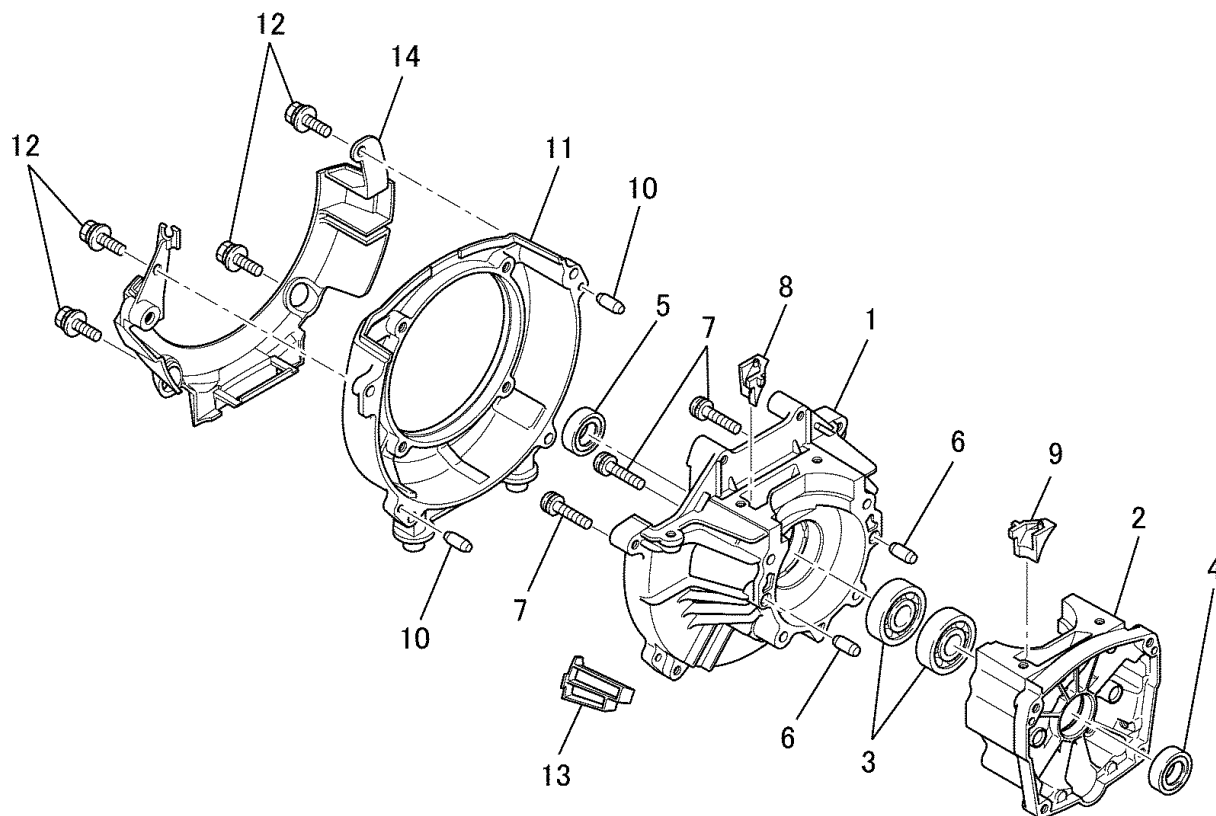


1. CRANKCASE SYSTEM



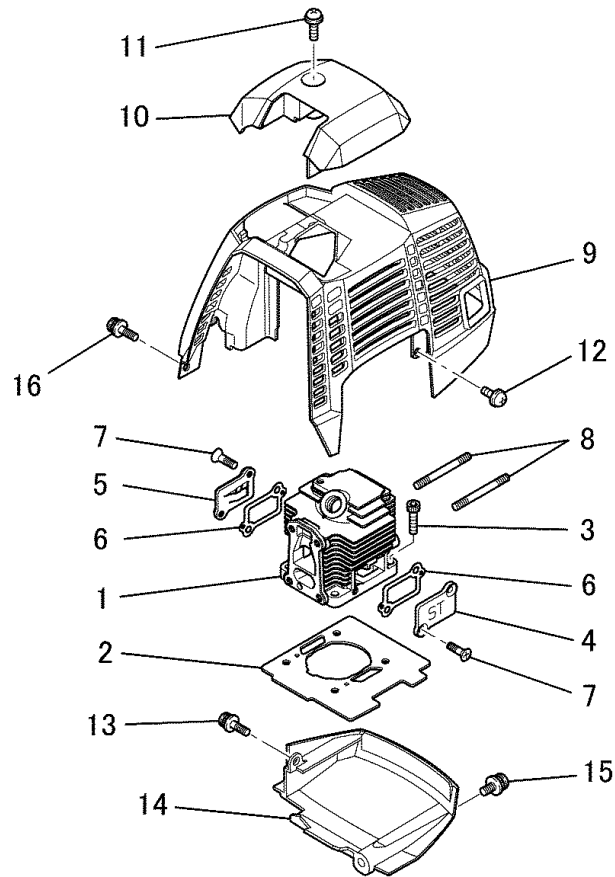
No.	R/N	Parts No.	Parts Name	No. Req'd	Inte	Remarks	Serial No. (From~To)
1		KB15005AA	CASE, DRIVE	1			
2		KB15006AA	CASE, STARTER	1			
3		S111X62X020	BEARING, BALL	2		#6202	
4		KW21005AA	OIL SEAL	1			
5		KW21012AA	OIL SEAL	1			
6		KU40003AA	PIN, DOWEL	2			
7		KU12029AA	SCREW&WASHER	4			
8		KB90020AA	GUIDE	1			
9		KB90021AA	GUIDE	1			
10		KU40004AA	PIN, DOWEL	2			
11		KH30027AA	CASE, FAN	1			
12		FR64569F	BOLT & WASHER	4			

1. CRANKCASE SYSTEM



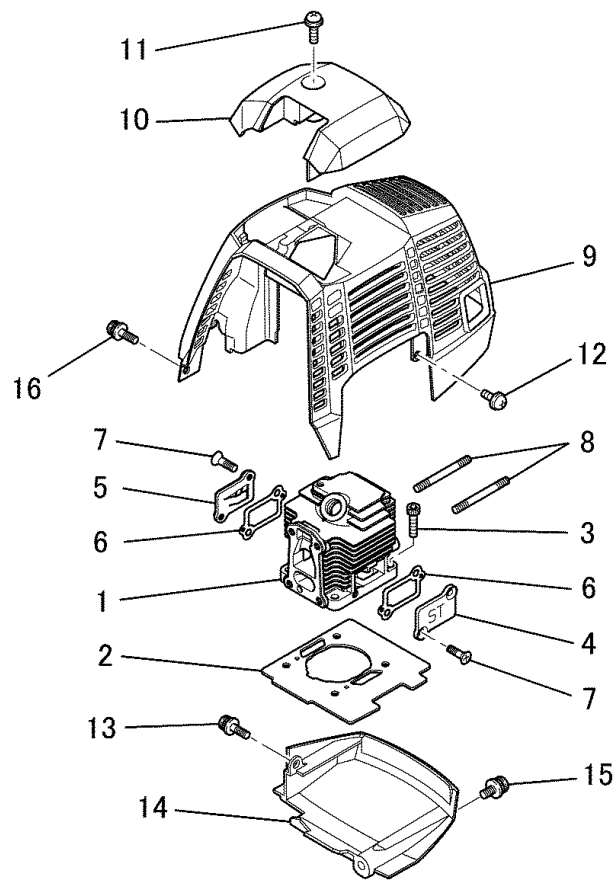
No.	R/N	Parts No.	Parts Name	No. Req'd	Inte	Remarks	Serial No. (From~To)
13		KH90078AA	COVER	1			
14		KH90100AA	COVER, UNDER	1			

2. CYLINDER, TOP COVER SYSTEM



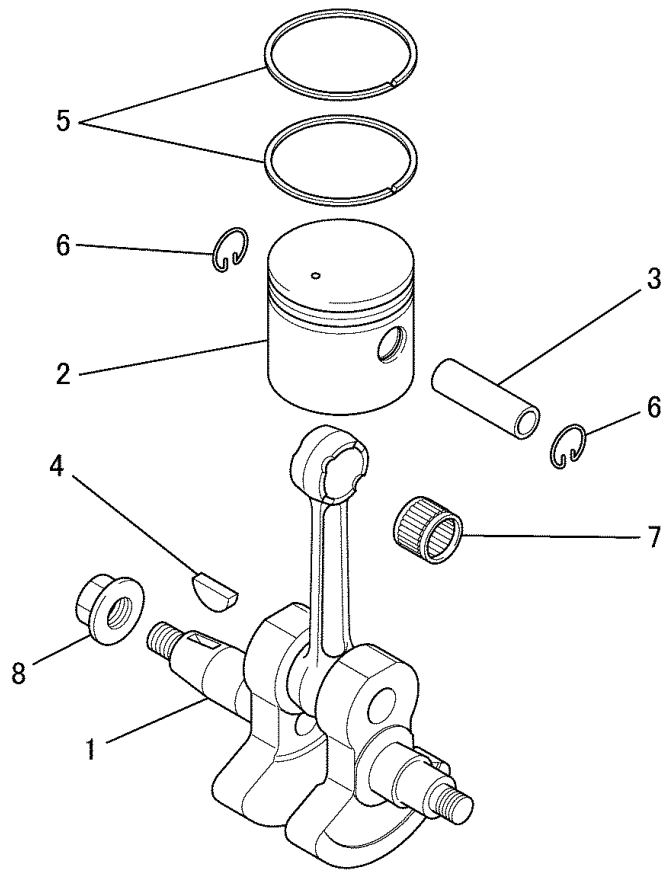
No.	R/N	Parts No.	Parts Name	No. Req'd	Inte	Remarks	Serial No. (From~To)
1		KC13025AA	CYLINDER	1			
2		KW32029AA	GASKET, CYLINDER	1			
3		B121C05X020	BOLT, SCH	4			
4		KC90020AA	COVER	1			
5		KC90021AA	COVER	1			
6		KW39083AA	GASKET	2			
7		KU12031AA	SCREW, CTSK-CRS	4			
8		B151B06X050	BOLT, STUD	2			
9		KH40124AA	COVER, TOP	1			
10		KH70025AA	GUARD, PLUG	1			
11		H071D05X020K	SCREW&WASHER	1			
12		KU12018CA	SCREW&WASHER	1			

2. CYLINDER, TOP COVER SYSTEM



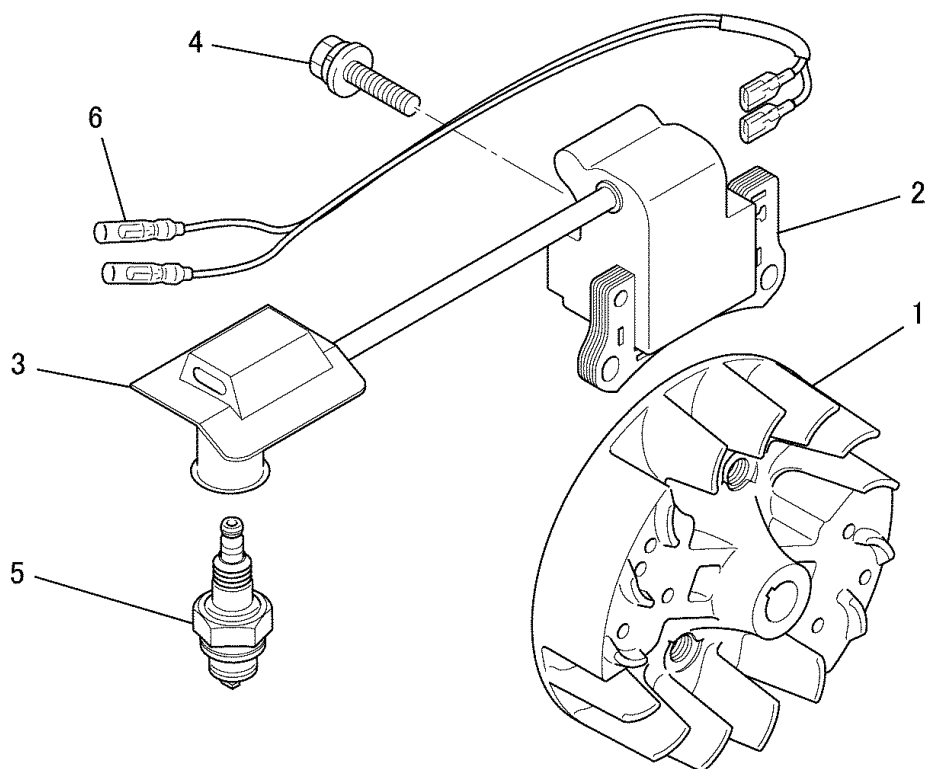
No.	R/N	Parts No.	Parts Name	No. Req'd	Inte	Remarks	Serial No. (From~To)
13		KU12018BA	SCREW&WASHER	1			
14		KH90101AA	COVER, BOTTOM	1			
15		KU12043AA	SCREW&WASHER	1			
16		KU12043BA	SCREW&WASHER	1			

3. CRANKSHAFT & PISTON SYSTEM



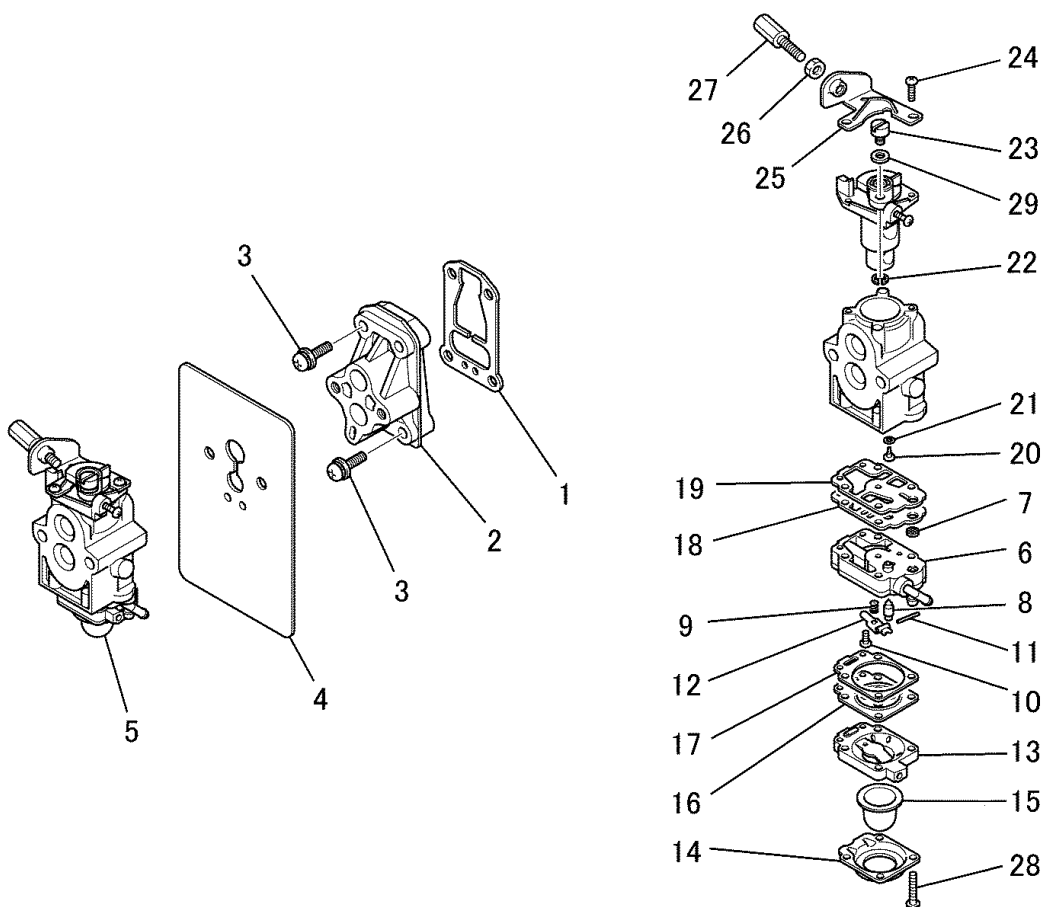
No.	R/N	Parts No.	Parts Name	No. Req'd	Inte	Remarks	Serial No. (From~To)
1		KD01037AA	CRANKSHAFT ASSY	1			
2		KP13018AA	PISTON	1			
3		KP52001AA	PIN, PISTON	1			
4		W430B03X013	KEY, WOODRUFF	1			
5		KP23004AA	RING, TOP	2			
6		FR34111	CLIP, PISTON PIN	2			
7		KW12016AA	BEARING, NEEDLE	1			
8		ZZ70028C	NUT, CONICAL SPG	1			

4. FLYWHEEL MAGNETO SYSTEM



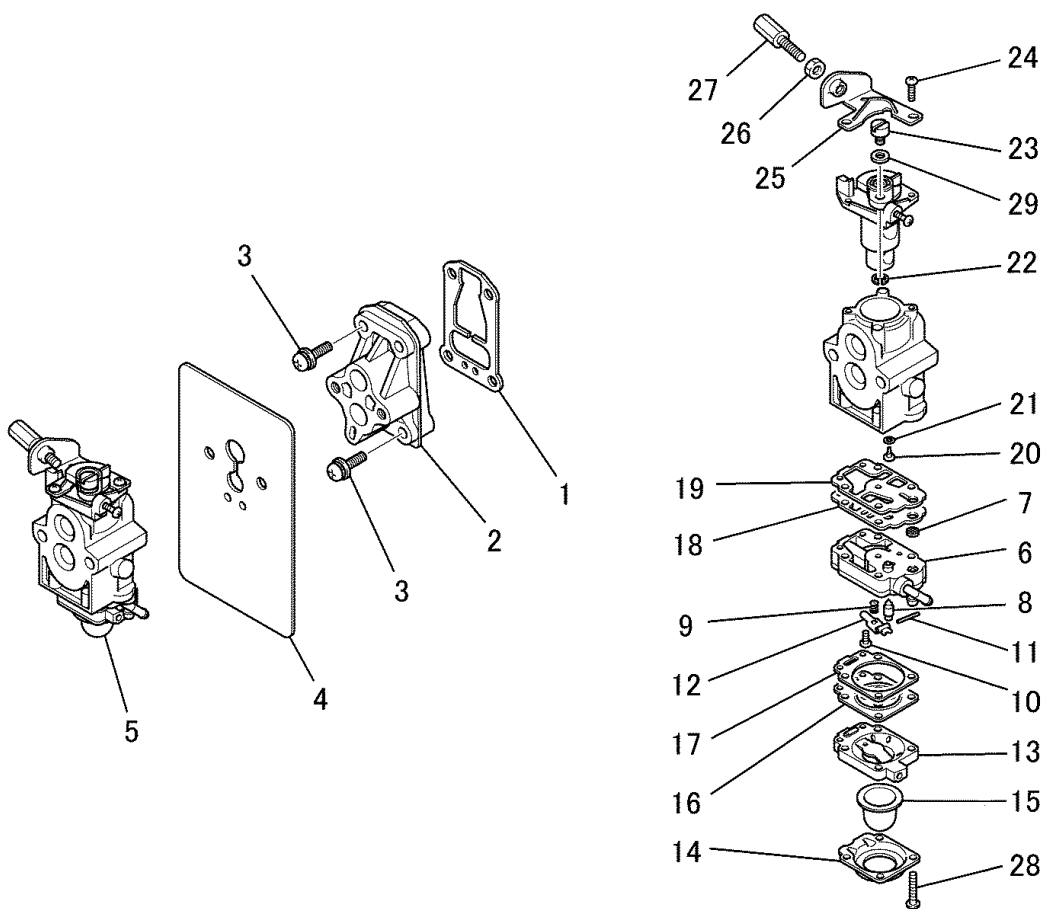
No.	R/N	Parts No.	Parts Name	No. Req'd	Inte	Remarks	Serial No. (From~To)
1		KE11033AA	ROTOR	1			
2		KE04034FA	COIL, IGNITION	1		INCL. NO. 3	
3		KE42043AA	CAP, PLUG	1			
4		FR64569A	BOLT & WASHER	2			
5		KE41011AA	PLUG, SPARK	1		NGK BPMR8Y	
6		KE90314AA	WIRE, LEAD	1			

5. CARBURETOR SYSTEM



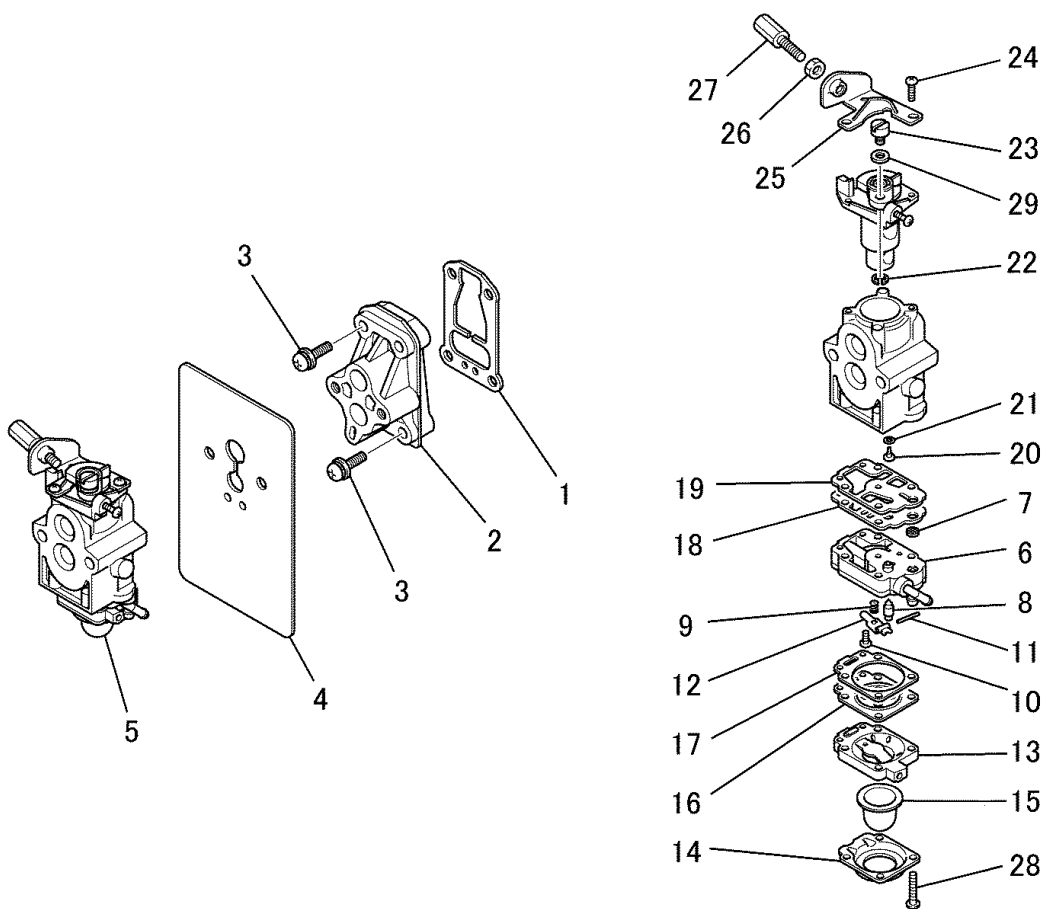
No.	R/N	Parts No.	Parts Name	No. Req'd	Inte	Remarks	Serial No. (From~To)
1		KW34067AA	GASKET, INSULATOR	1			
2		KK31033AA	INSULATOR	1			
3		FR64960E	SCREW&WASHER	4			
4		KW39117AA	GASKET, CARBURETOR	1			
5		KK22083BA	CARBURETOR (D)	1		INCL. NO. 6-29	
6		KK22016AA002	BODY, PUMP	1		INCL. NO. 7-12	
7		KK21009AA002	SCREEN	1			
8		KK22007AA003	VALVE, NEEDLE	1			
9		KK23002AA005	SPRING	1			
10		KK22007AA005	SCREW	1			
11		FR66652XX027	PIN	1			
12		FR66652XX029	LEVER	1			

5. CARBURETOR SYSTEM



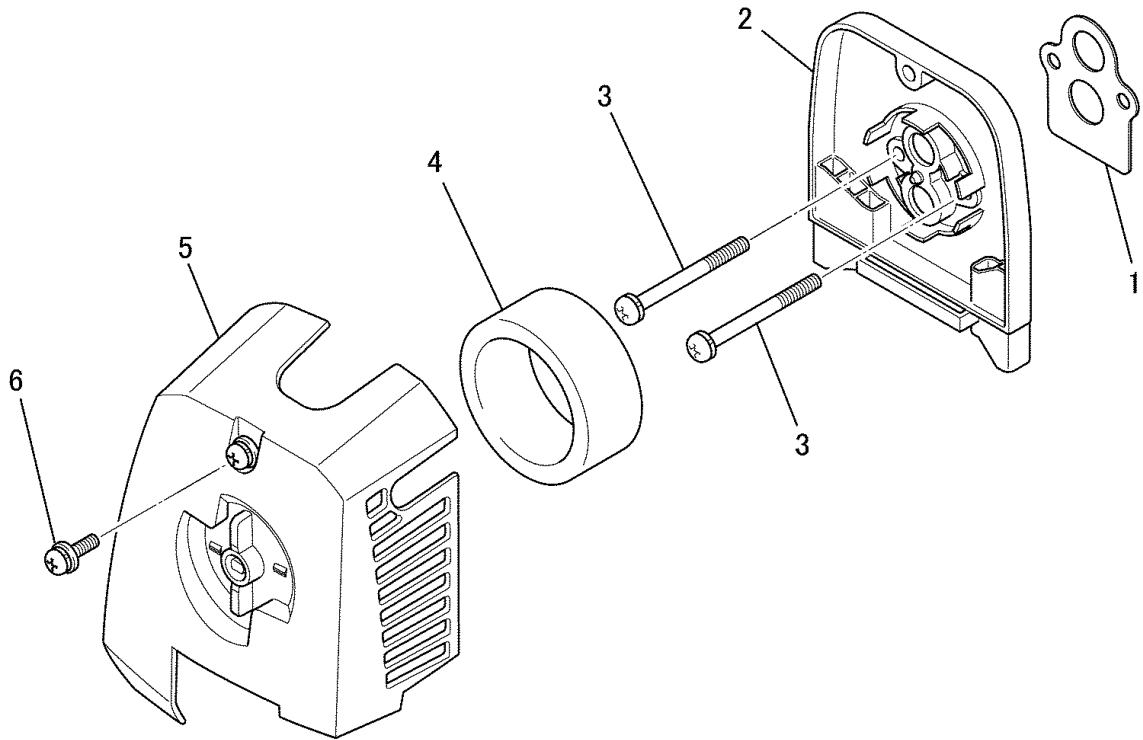
No.	R/N	Parts No.	Parts Name	No. Req'd	Inte	Remarks	Serial No. (From~To)
13		KK22007AA006	BODY	1			
14		KK22007AA007	COVER	1			
15		KK21017AA013	CAP	1			
16		KK21028AA006	DIAPHRAGM	1			
17		KK22007AA012	GASKET	1			
18		KK21017AA005	DIAPHRAGM	1			
19		KK21028AA009	GASKET	1			
20		KK21041AA110	JET	1			
21		KK21017AA002	O-RING	1			
22		FR66652XX032	CLIP	1			
23		KK21024AA022	HOLDER, WIRE	1			
24		KK21017AA021	SCREW	2			

5. CARBURETOR SYSTEM



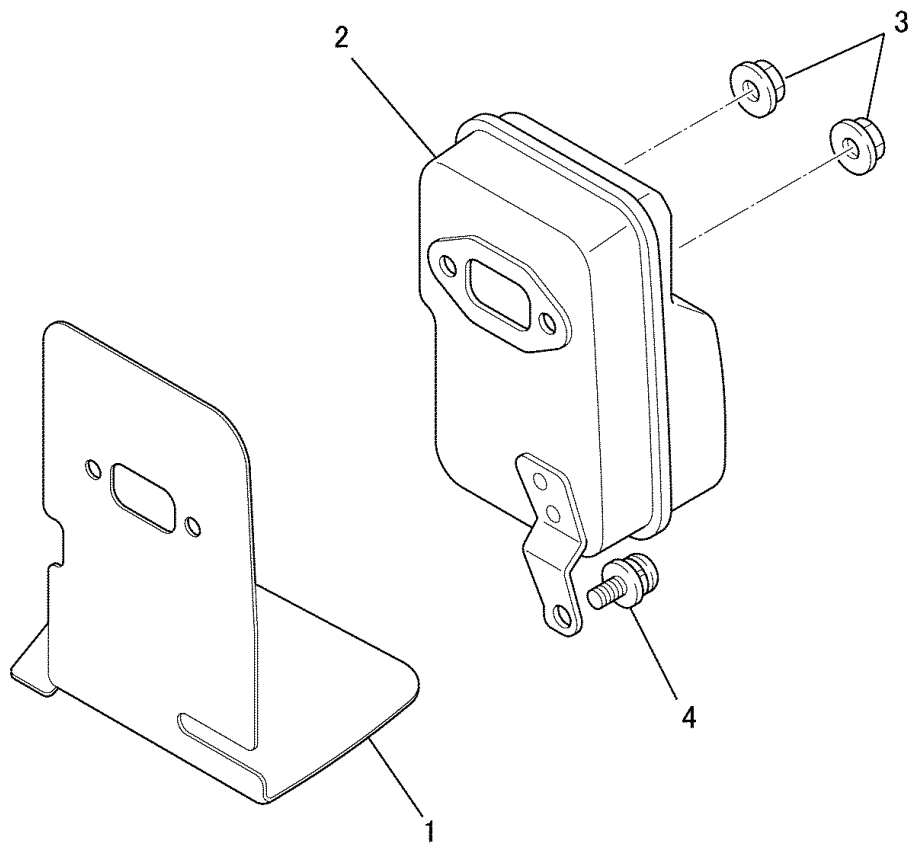
No.	R/N	Parts No.	Parts Name	No. Req'd	Inte	Remarks	Serial No. (From~To)
25		KK22023AA014	BRACKET	1			
26		KK21017AA027	NUT	1			
27		KK22051DA016	SCREW, ADJUST	1			
28		KK22007AA019	SCREW	4			
29		KK22004EA024	WASHER	1			

6. AIR CLEANER SYSTEM



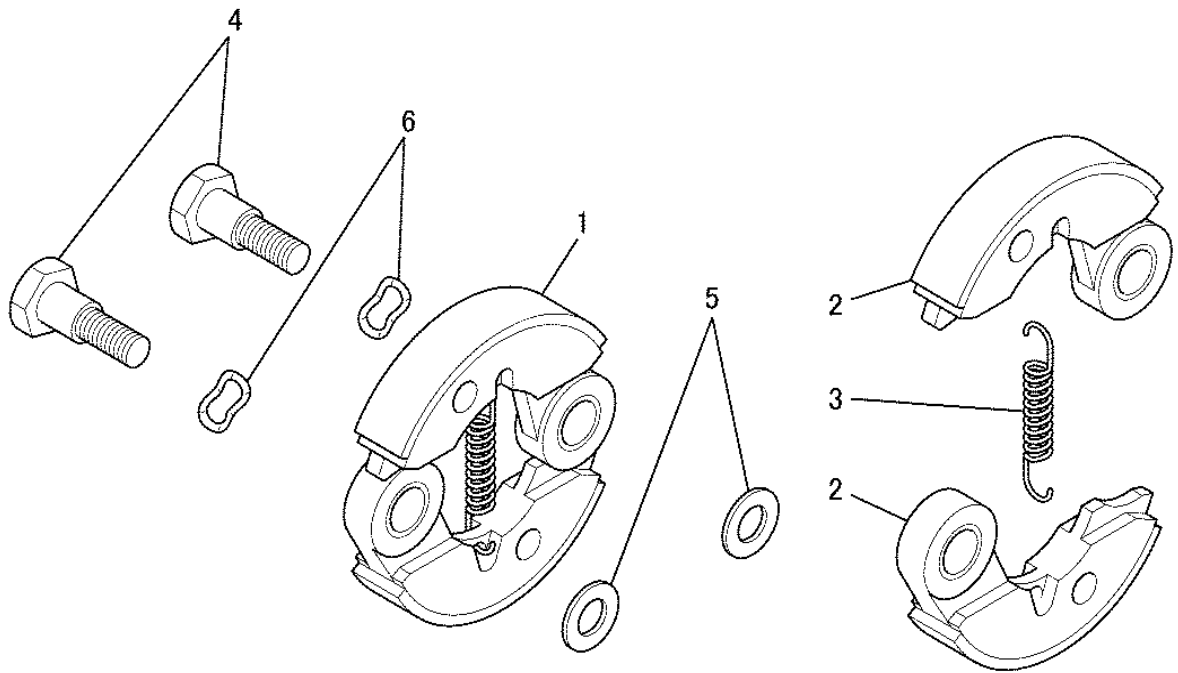
No.	R/N	Parts No.	Parts Name	No. Req'd	Inte	Remarks	Serial No. (From~To)
1		KW39087AA	GASKET, AIR CLEANER	1			
2		KA10044AA	CASE, CLEANER	1			
3		H071D05X050	SCREW&WASHER	2			
4		KA40080AA	ELEMENT, CLEANER	1			
5		KA02049AA	CLEANER COVER ASSY	1		INCL. NO. 6	
6		FR64960D	SCREW&WASHER	1			

7. MUFFLER SYSTEM



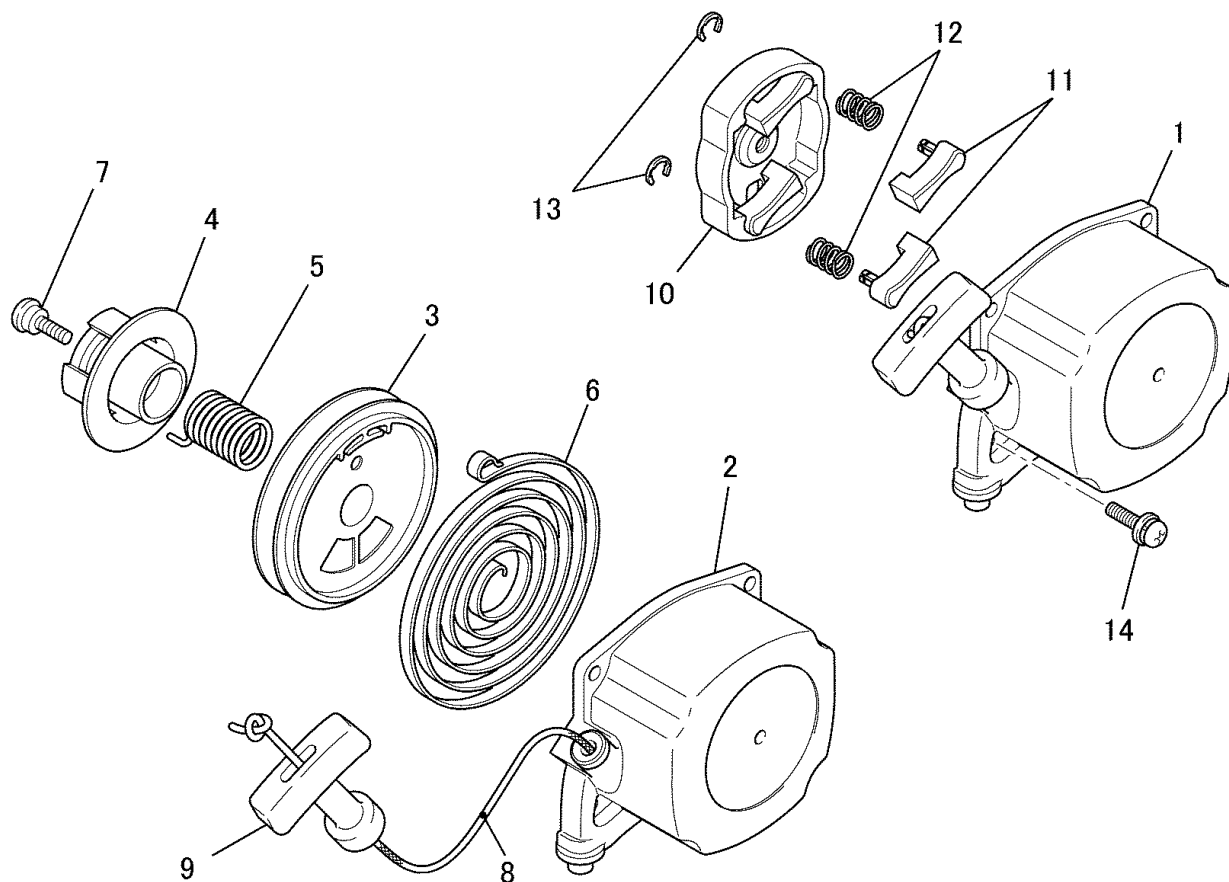
No.	R/N	Parts No.	Parts Name	No. Req'd	Inte	Remarks	Serial No. (From~To)
1		KM70080AA	GASKET, MUFFLER	1			
2		KM01098AA	MUFFLER ASSY	1			
3		N801A06	NUT, FLANGE	2			
4		KU12043AA	SCREW&WASHER	1			

8. CLUTCH SYSTEM



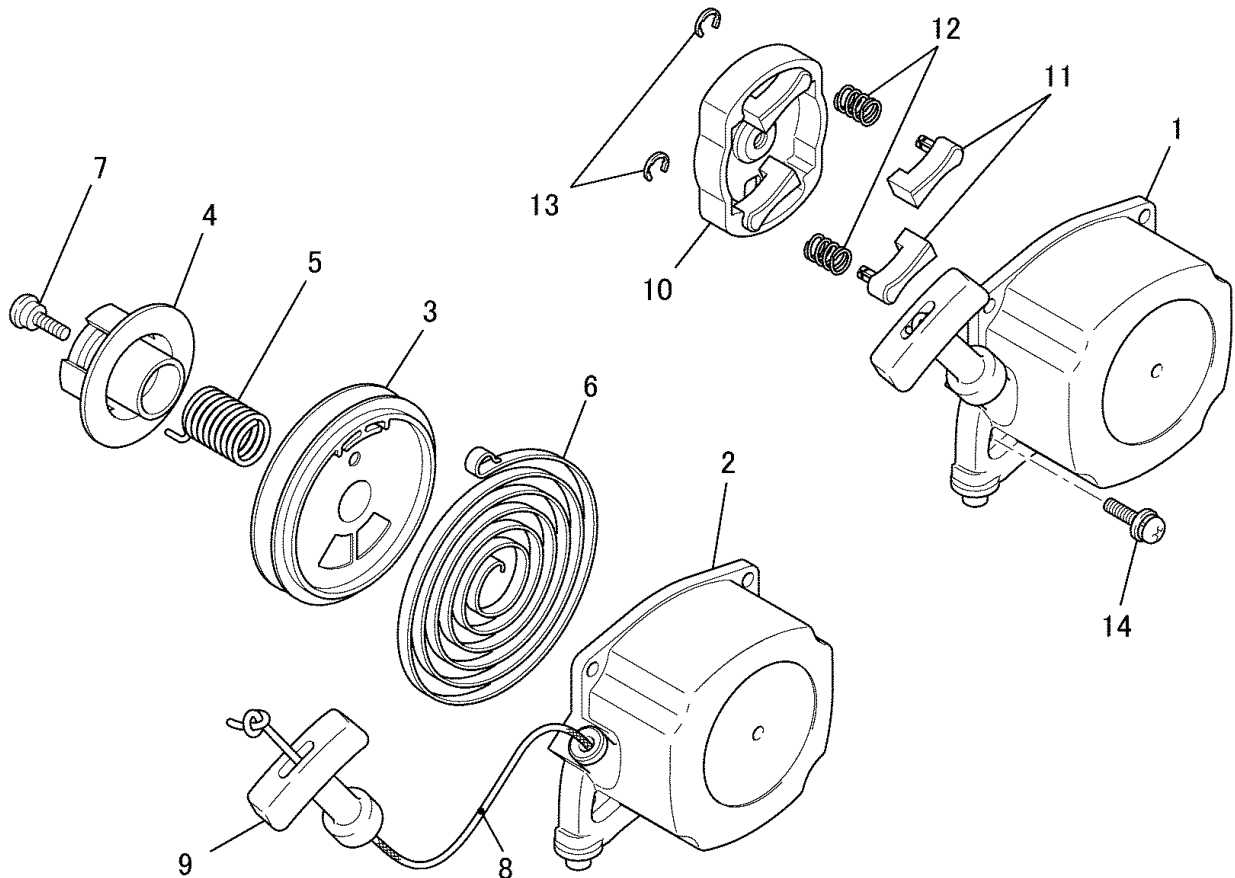
No.	R/N	Parts No.	Parts Name	No. Req'd	Inte	Remarks	Serial No. (From~To)
1		KT01054AA	CLUTCH	1		INCL. NO. 2, 3	
2		KT12002BA	SHOU, CLUTCH	2			
3		KT01054AA002	SPRING	1			
4		KT14001AA	BOLT, CLUTCH	2			
5		FR67347	WASHER	2			
6		KU36001AA	WASHER	2			

9. RECOIL STARTER SYSTEM



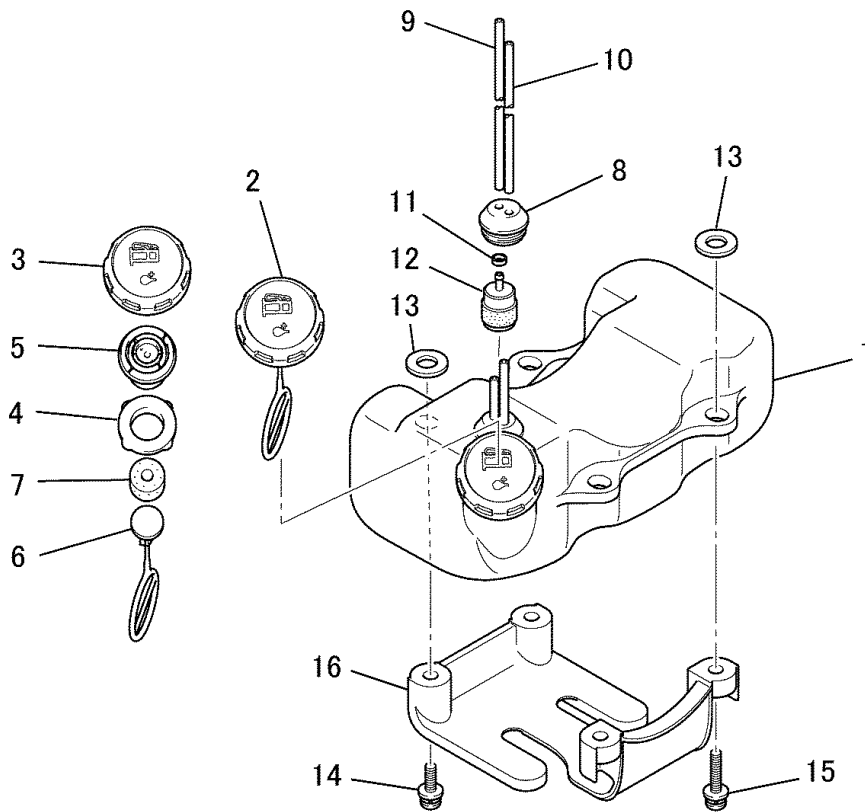
No.	R/N	Parts No.	Parts Name	No. Req'd	Inte	Remarks	Serial No. (From~To)
1		KS20165BA	RECOIL STARTER	1		INCL. NO. 2-9	
2		KS20165BA001	CASE, STARTER	1			
3		KS20145AA002	REEL	1			
4		KS20145AA003	CAM	1			
5		KS20145AA004	SPRING	1			
6		KS20097AA002	SPRING, SPIRAL	1			
7		KS20145AA006	SCREW	1			
8		KS20145AA008	ROPE, STARTER	1			
9		FR66881XX011	KNOB, STARTER	1			
10		KS03015AA	PULLEY, STARTER	1		INCL. NO. 11-13	
11		KS03012AA002	RATCHET	2			
12		KS03012AA003	SPRING, RETURN	2			

9. RECOIL STARTER SYSTEM



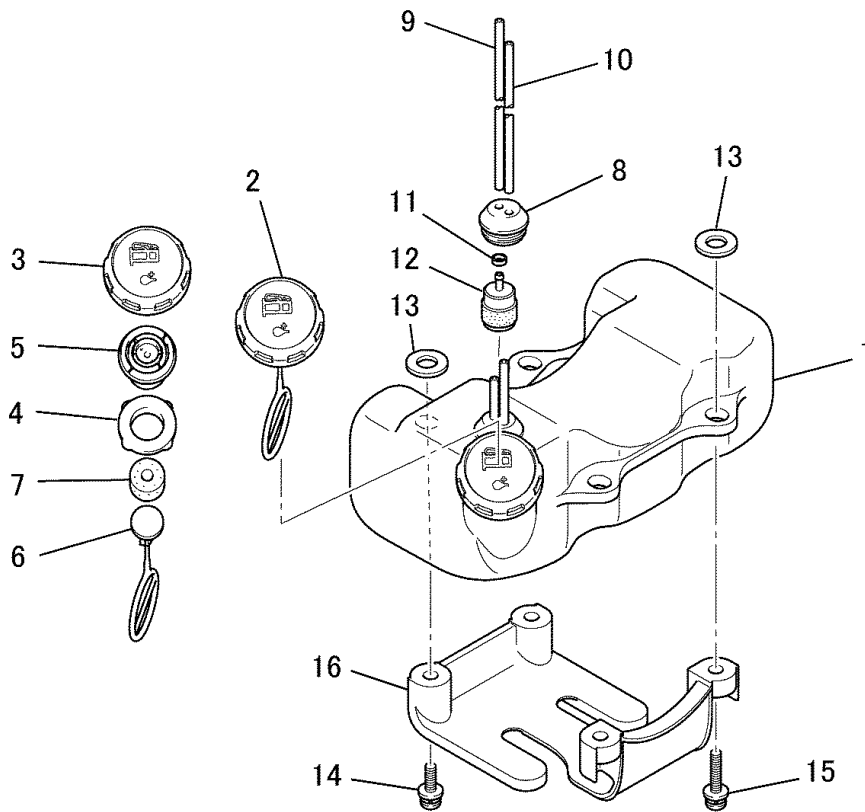
No.	R/N	Parts No.	Parts Name	No. Req'd	Inte	Remarks	Serial No. (From~To)
13		KS03004AA004	SNAP RING	2			
14		KU12018CA	SCREW&WASHER	3			

10. FUEL TANK SYSTEM



No.	R/N	Parts No.	Parts Name	No. Req'd	Inte	Remarks	Serial No. (From~To)
1		KF01082EB	FUEL TANK ASSY	1		INCL. NO. 2-12	
2		KF05023DA	TANK CAP ASSY	1		INCL. NO. 3-7	
3		KF21012CA	CAP, FUEL TANK	1			
4		KF90155AA	PACKING	1			
5		KF09038AA	VALVE, BREATHER	1			
6		KF90062AB	HOLDER	1			
7		KF90154AA	SPONGE	1			
8		KF90048AA	PLUG	1			
9		KF70011HA	TUBE, FUEL	1		L=220	
10		KF70031BA	TUBE, FUEL	1		L=75	
11		KF01033AA007	BUSH	1			
12		KF40004AA	FILTER, FUEL	1			

10. FUEL TANK SYSTEM



No.	R/N	Parts No.	Parts Name	No. Req'd	Inte	Remarks	Serial No. (From~To)
13		KF80008AA	PAD	4			
14		KU12018BA	SCREW&WASHER	2			
15		KU12018DA	SCREW&WASHER	2			
16		KT30024BA	STAND, ENGINE	1			